

VOLTA POWER SYSTEMS

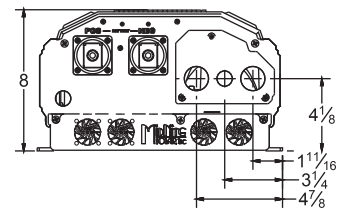
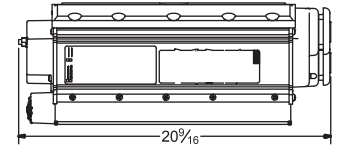
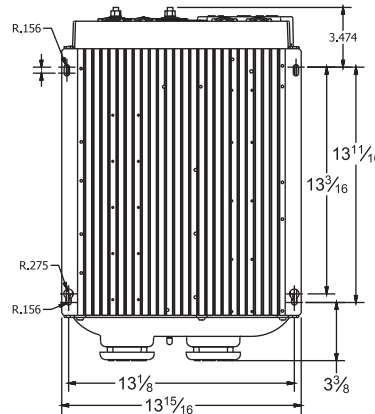
7,000W 240V INVERTER / CHARGER



Volta Power Systems

voltapowersystems.com

616.226.4222



WEIGHT 43lbs

KEY FEATURES

7,000W @120/240V

Enable multiple large power loads simultaneously including starting surges without compromise.

95% EFFICIENT

Industry-leading efficiency reduces lost energy and heat.

UL458 & UL1741 CERTIFIED

Principal safety standard for mobile power conversion for motor and marine vehicles and ground based conversion.

FULL 50 AMP TRANSFER

Maximizes full amps from shore power for charging, running multiple appliances and more.

HYBRID CAPABILITY

Ability to boost line voltage from battery when bypass power is limited.

120V OR 120/240VAC OUTPUT IN ONE UNIT

Enables mobile use of home / consumer 240V appliances including higher performance European appliances regardless of shore power ratings and limitations.

INVERTER SPECIFICATIONS

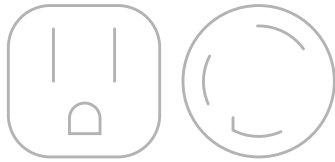
Continuous Power	7 kW
Surge Power	15 kW
Output Voltage	120 / 240 VAC*
Output frequency and Accuracy	50 or 60 Hz +/- 3%
Total Harmonic Distortion	<5%
Input voltage	47 - 58.2 VDC
Output Current	56.6 AAC
Safety Standards	UL 485, UL 1741 & CSA 107.1

Bypass current	50 A
Inverter Efficiency	95% at 100% rated load
Waveform	Pure Sine
Max operating temperature	55 C*
Min operating temperature	-30 C*
Limited Warranty	Specific to OEM
Max Charge Power	6.6 kW

*Configurable for European voltage

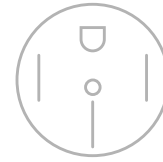
CHANGING THE WAY WE THINK ABOUT RV POWER

EXPERIENCE THE LUXURIES OF HOME, ON THE ROAD



Constraints of the 120V 30A Standard

Traditionally, 120V 30A shore power has constrained RVs from access to the high quality, high-efficiency residential appliances - refrigerators, stoves, microwaves, or air conditioning units. These appliances simply require more power, often at higher voltages that campground infrastructure or battery systems have been able to provide.



The Freedom of a 240V System

By including Volta's 7,000W inverter/charger, RV-makers can unlock access to 240V 50A system designs. This means access to:

- Fullsize, Brand Name Residential Appliances
- High Performance European Appliances
- Mini-split Air Conditioning
- and more

A 240V power architecture gives OEs the ability to design an RV that feels like an extension of home.

COMPARING SYSTEM BUILDS

120 Volts at 30 Amps

Dependent on shore power and 12V battery systems

3,600W max continuous capacity

RV retailer supplied appliances at one third the power of a home appliance

Limited air conditioning efficiency and placement options

240 Volts at 50 Amps

Integrate with the Volta system for off-grid experience without shore power, and take advantage of full 50A service/charging from campgrounds that offer it.

12,000W max continuous capacity

Quality appliances from any brand you would use in your own home including high-efficiency, space-saving European suppliers

Access to 240V A/C compressors and mini-split integrations to eliminate roof seal issues

